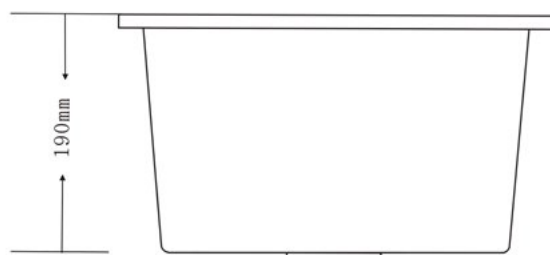
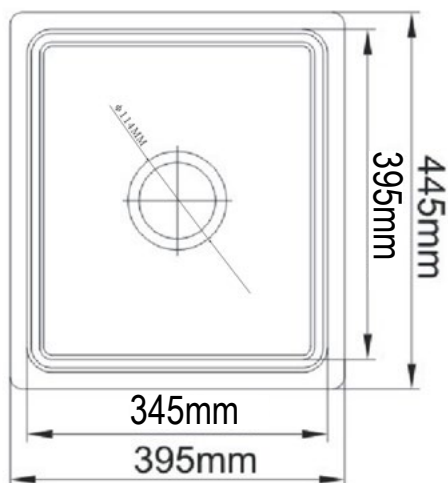


**UPTOWN<sup>®</sup>**  
GRANITE

**GS395**



- Made from 80% Quartz/20% Resin
- 26 Litre capacity
- Suitable for top-mount or under-mount (no clips required)
- Supplied with a 90mm S/S designer basket waste



**Victoria**

**Interchange Sales & Marketing P/L**

Unit 4/49 Corporate Blvd,  
Bayswater Vic 3153  
**Tel** 03 9729 6411

**Email** [sales@interchangesales.com.au](mailto:sales@interchangesales.com.au)  
**Web** [interchangesales.com.au](http://interchangesales.com.au)

**South Australia**

**Enterprise Agencies P/L**

PO Box 731  
Mitcham SA 5062  
**Tel** 08 8443 8889  
**Fax** 08 8443 5889

**Email** [entag@adam.com.au](mailto:entag@adam.com.au)

**Tasmania**

**Allan Powell Agencies**

Warehouse 1, Broadland Dve  
Launceston TAS 7250  
**Tel** 03 6334 2992  
**Fax** 03 6334 2994

**Email** [apagencies@apagencies.com](mailto:apagencies@apagencies.com)